

NEW Bush Hog® **TOUGH** SRG60 Root Grapple



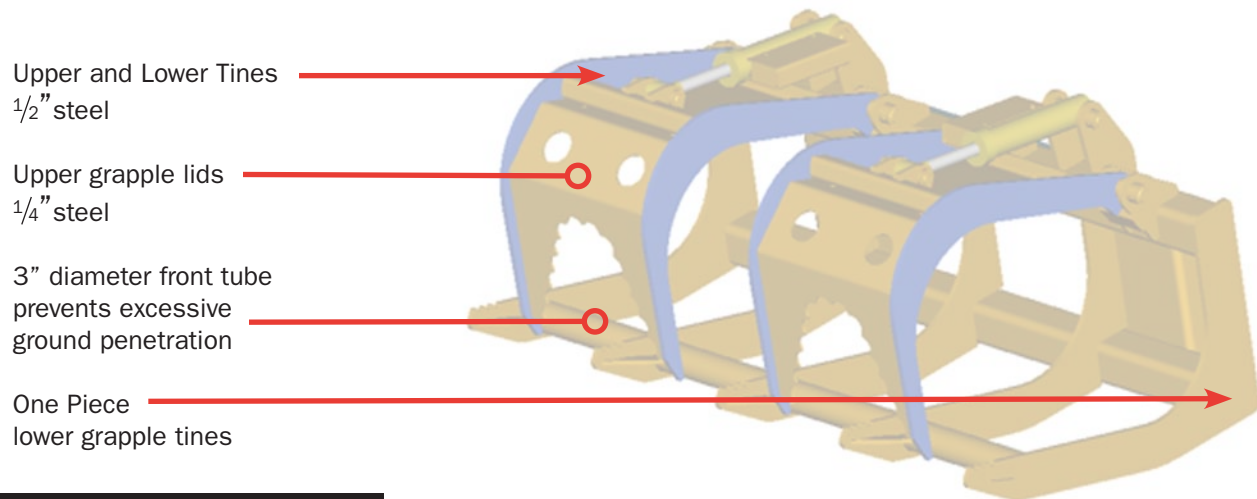
**Bush Hog
Performance
And Durability**



BUSH HOG®
Performance You Can Count OnSM

NEW Bush Hog® TOUGH SRG60 Root Grapple

- Upper grapple lids are made from 1/4" high strength steel
- Upper and lower tines made from 1/2" high strength steel
- One piece lower grapple tines for extra strength
- 3" dia. round front tube prevents excessive ground penetration
- All moveable joints are "grease-able"
- 3000 lbs clamping force



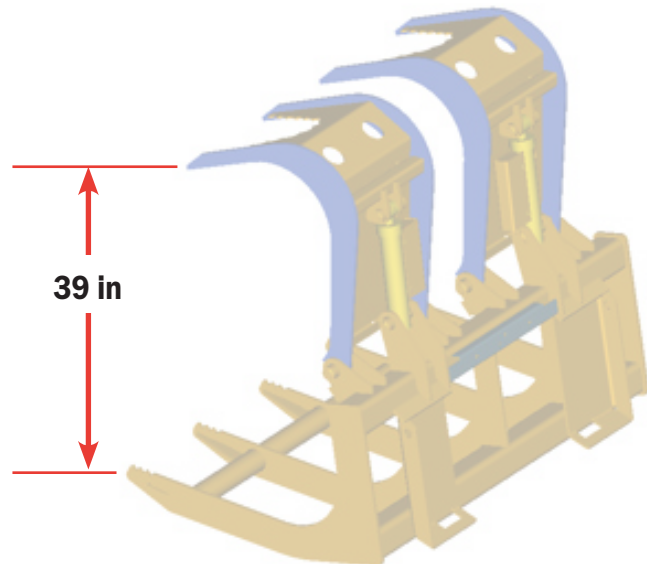
Specifications

Interfaces with "Universal"
Skid Steer Quick-Attach Systems

Grapple Width	60 in
Lower Tine Spacing	15 in
Max Opening	39 in
Weight	601 lbs

HYDRAULIC SPECIFICATIONS

Cylinder Bore: 2-1/4 in
Cylinder Rod Size: 1-1/4 in
Cylinder Stroke: 7-1/8 in
Hydraulic hose connection point: 9/16 JIC



BUSH HOG®
Performance You Can Count OnSM

Bush Hog®, L.L.C.
P.O. Box 1039 Selma, AL 36702-1039
www.bushhog.com (334) 874-2700
© June 2007 Bush Hog, LLC

Dealer Info: